

6

5

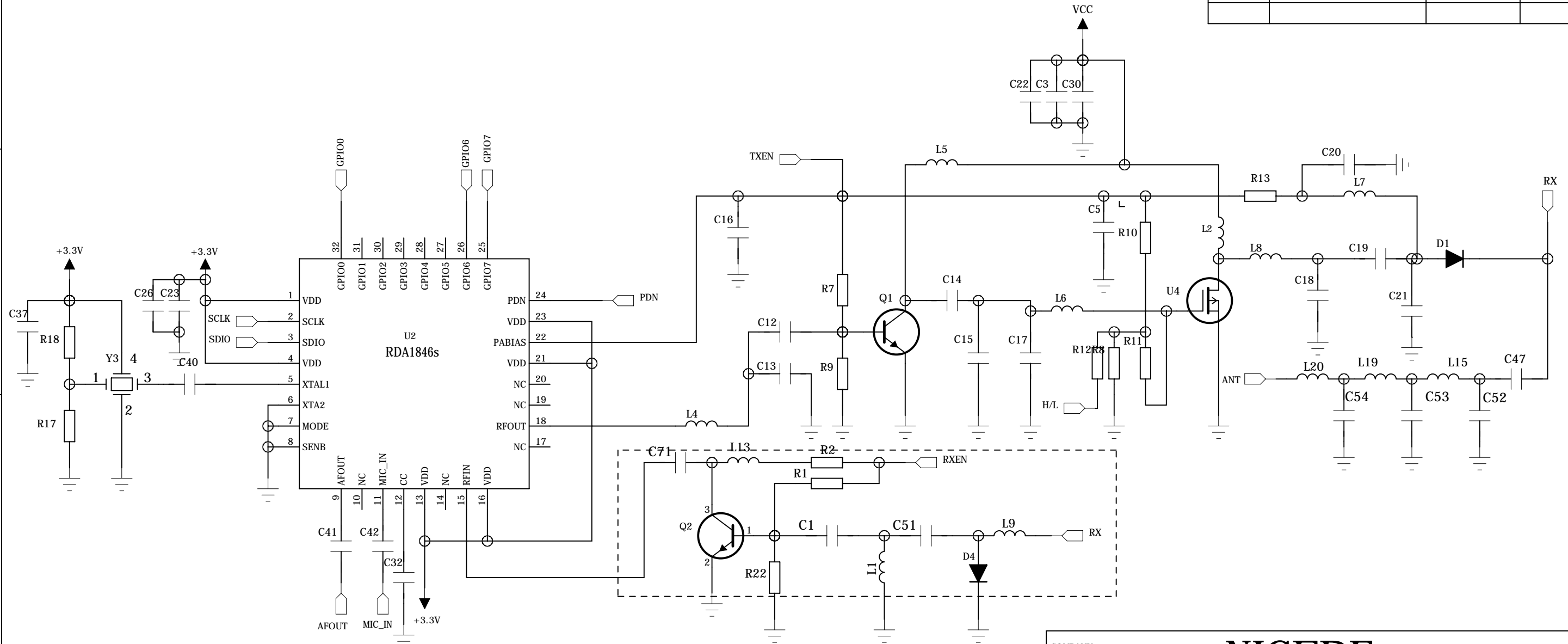
4

3

2

1

REVISION RECORD			
LTR	ECO NO:	APPROVED:	DATE:



COMPANY: **NICERF**

TITLE: **SA868**

DRAWN:	DATED:
CHECKED:	DATED:
QUALITY CONTROL:	DATED:
RELEASED:	DATED:

CODE:	SIZE:	DRAWING NO:	REV:
	B		

SCALE: SHEET: 1 OF 2

D

C

B

A

D

C

B

A

6

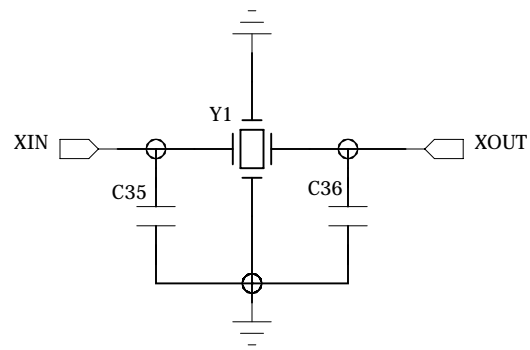
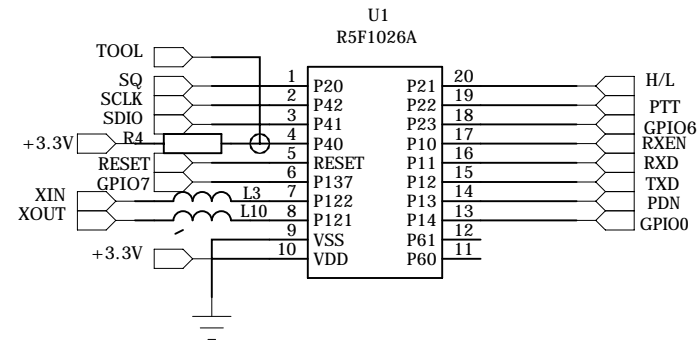
5

4

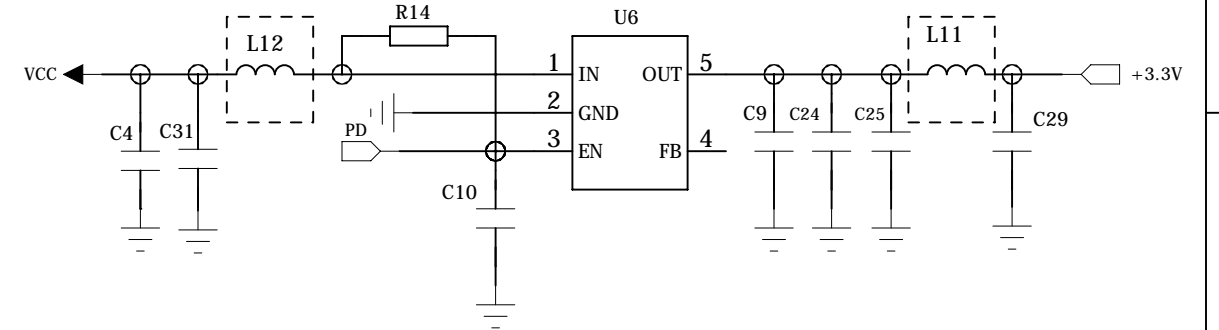
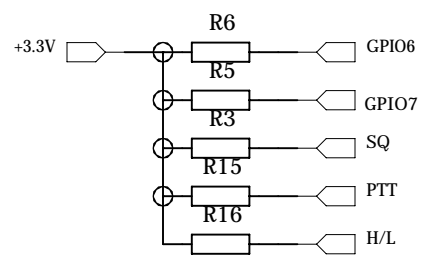
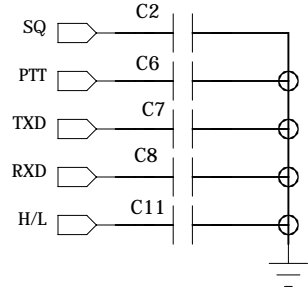
3

2

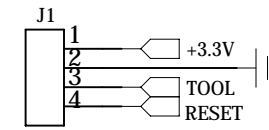
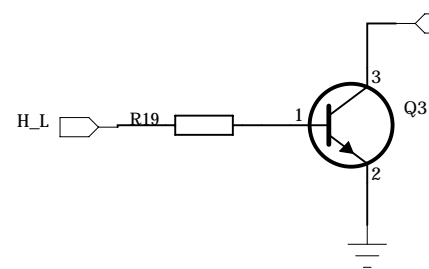
1



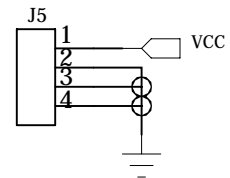
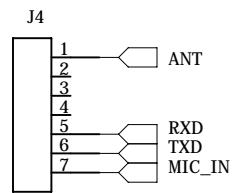
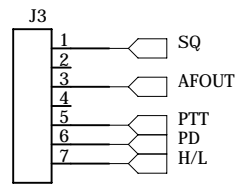
REVISION RECORD			
LTR	ECO NO:	APPROVED:	DATE:



POWER



Download



Interface

COMPANY: NICERF			
TITLE: SA868			
CODE:	SIZE:	DRAWING NO:	REV:
SCALE:			SHEET: 2 OF 2

DRAWN:	DATED:
CHECKED:	DATED:
QUALITY CONTROL:	DATED:
RELEASED:	DATED: